

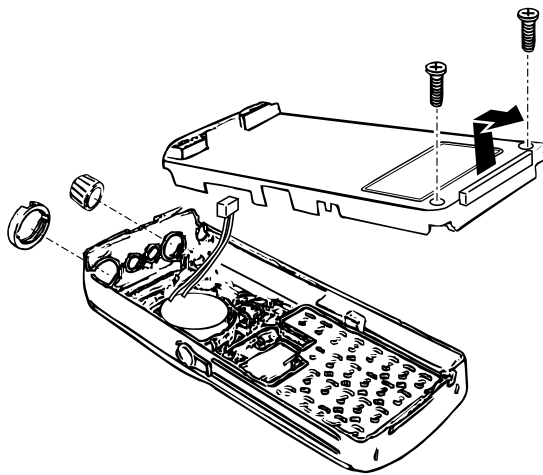
Thank you for purchasing the UT-111 TRUNKING UNIT.

Please read these instructions before installing and using this product.

IC-F3/F4 SERIES PC BOARD MODIFICATION

◆ IC-F3 and IC-F4 series instructions

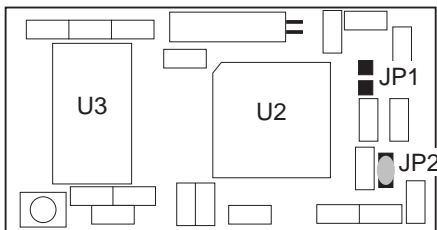
- ① Remove the battery pack and volume knob and unscrew the antenna connector screw.
- ② Unscrew the 2 screws, then remove the front panel as shown below.



- ③ Remove the shielding plate and 7 screws to show the bottom view of the MAIN unit.
- ④ Connect 2 points of the MAIN unit with a jumper wire as shown at right.
- ⑤ When using the UT-111 with IC-F3/S, connect JP2 by soldering as shown below.
- ⑥ Plug the UT-111 to J5 on the MAIN unit.
- ⑦ Reassemble the transceiver.

◆ UT-111 modification (IC-F3/S)

When using the UT-111 with IC-F3/S, connect JP2 by soldering as shown below.

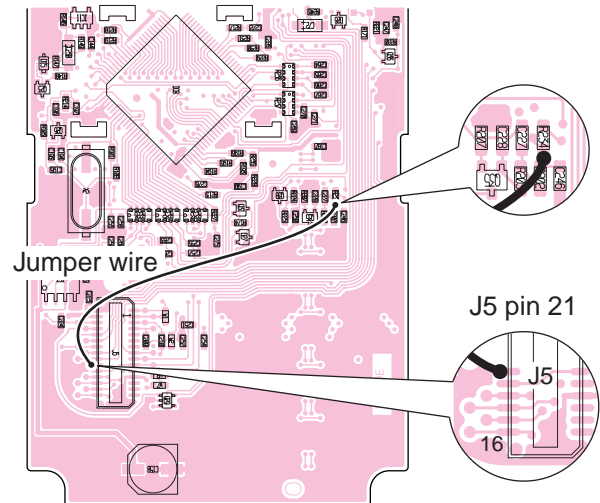


MODEL	JP2 JUMPER
IC-F3/S	Jumper
IC-F4/S	Open

◆ MAIN unit modification

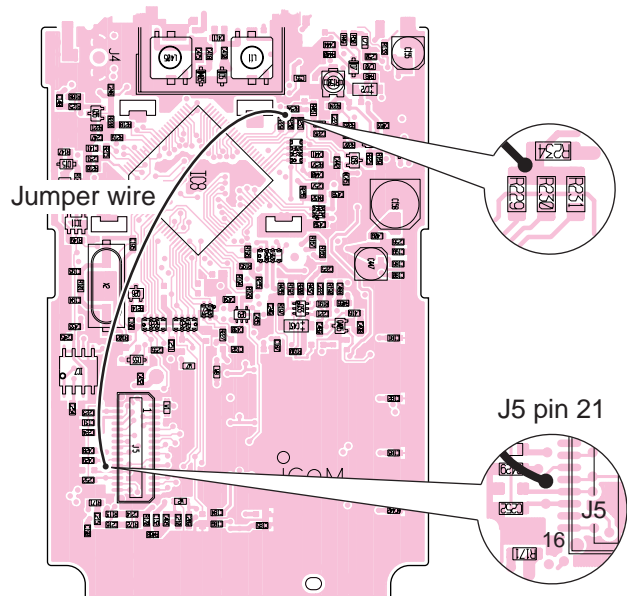
Connect 2 points with a jumper wire as shown below.

• IC-F3/S



• IC-F4/S

▨ This modification is not required when the transceiver's serial number is over 60000.



IC-F300/F400 SERIES PC BOARD MODIFICATION

▨ The trunking unit may be installed to IC-F320S and IC-F420S, however, we do not recommend this due to channel capacity.

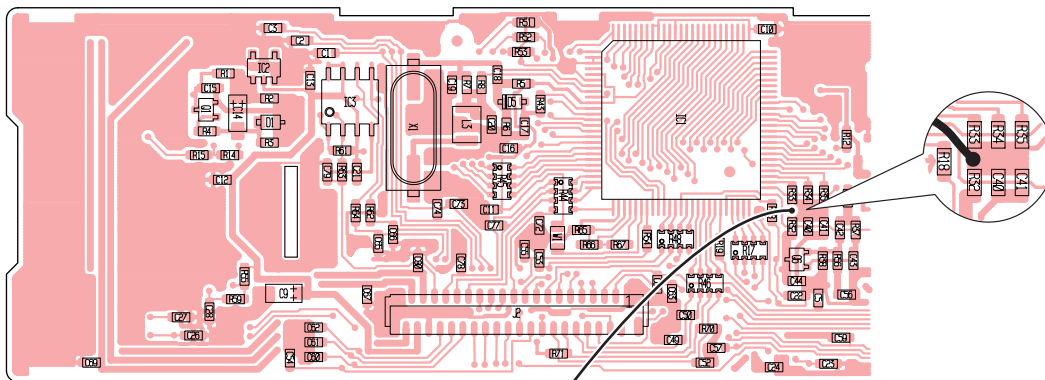
◇ IC-F300 and IC-F400 series instructions

- ① Turn power OFF, then disconnect the DC power cable.
- ② Unscrew the 4 screws, then remove the bottom cover.
- ③ Unscrew the 2 screws, then remove the front panel.
- ④ Unscrew the 3 screws and remove the flat cable, then remove the FRONT unit.
- ⑤ For the IC-F400 series transceiver, connect 2 points on the FRONT and MAIN units with a jumper wire as shown below.
 - ▨ This modification is not required when the transceiver's serial number is over 60000.
- ⑥ Connect JP2 on the UT-111 by soldering as shown on p. 5.
- ⑦ When using the UT-111 with IC-F410/S or IC-F420/S, MAIN unit modification is necessary.
- ⑧ Plug the UT-111 to J2 (IC-F300 series) or J4 (IC-F400 series) on the MAIN unit.
- ⑨ Reassemble the transceiver.

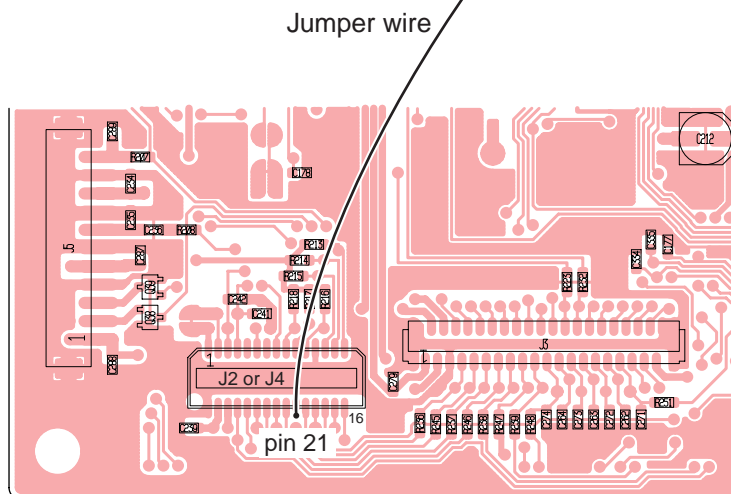
◇ FRONT and MAIN units modification

Connect 2 points with a jumper wire as shown below.

•FRONT unit



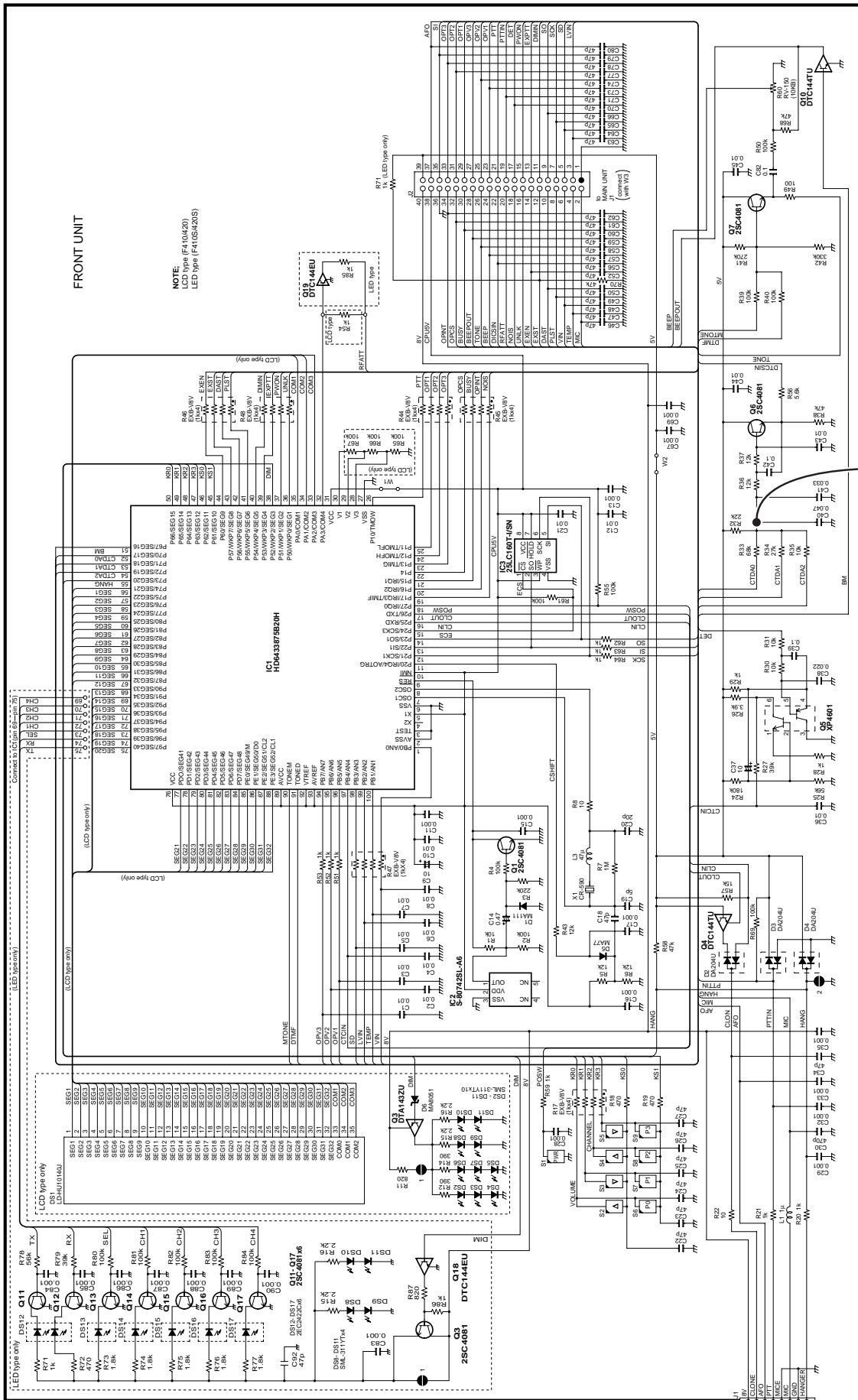
•MAIN unit



NOTE: The MAIN unit shows the IC-F400 series transceiver.

◆ FRONT unit modification part circuit diagram (IC-F400 series)

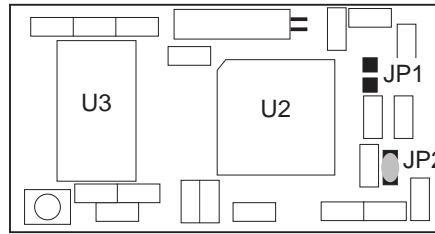
▨ This modification is not required when the transceiver's serial number is over 60000.



To J2 (IC-F300 series) or J4 (IC-F400 series) pin 21 on the MAIN unit.

◇ UT-111 modification

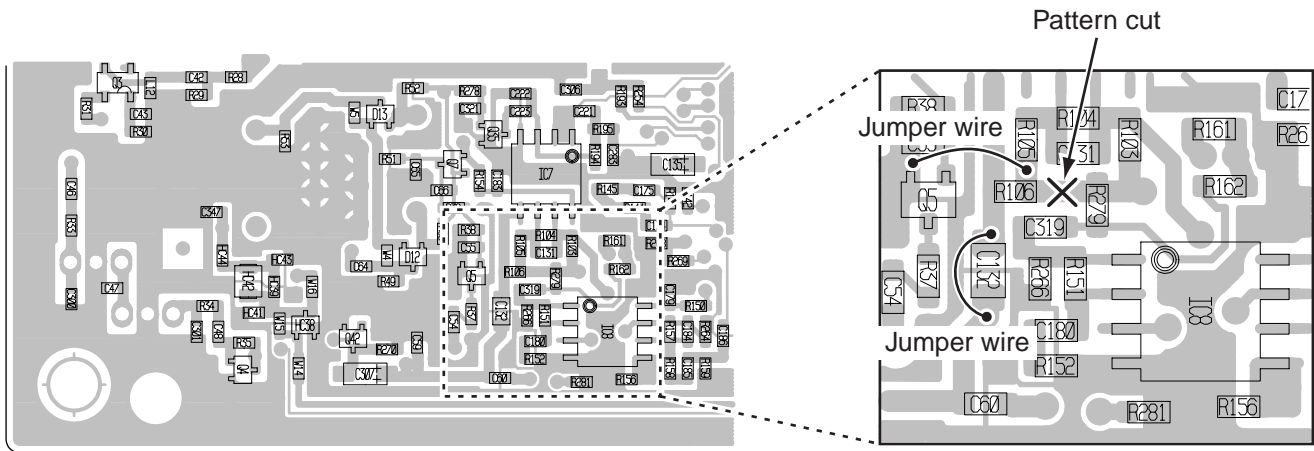
Connect JP2 on the UT-111 by soldering as shown below.



MODEL	JP2 JUMPER
IC-F310/F320	Jumper
IC-F410/F420	Jumper

◇ MAIN unit modification (IC-F400 series)

/// This modification is not required when the transceiver's serial number is over 60000.



◇ MAIN unit modification part circuit diagram

